



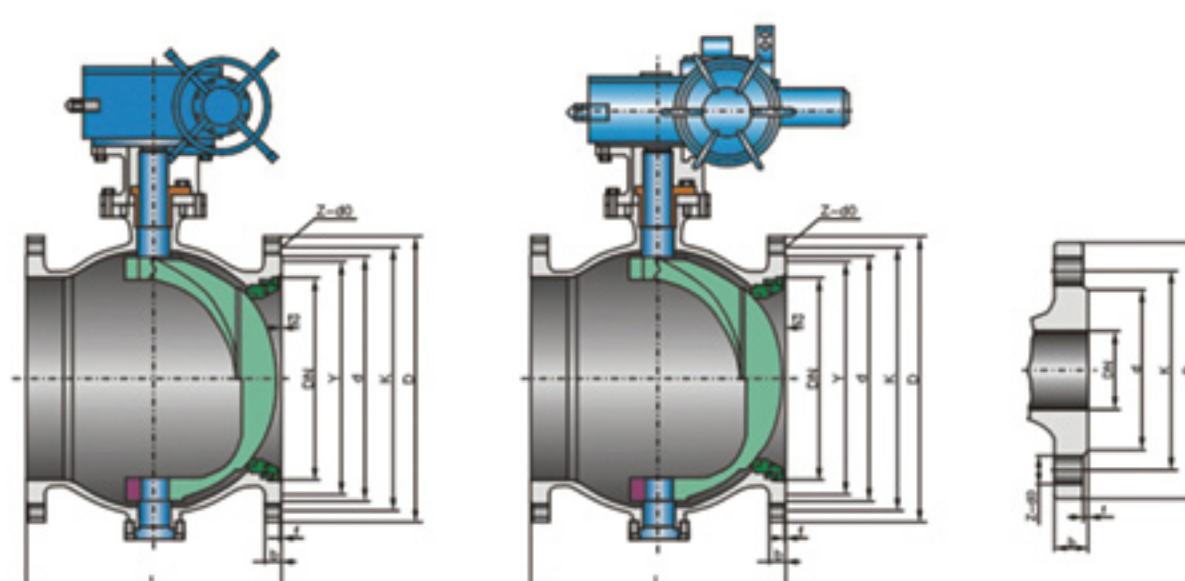
A28
2"~56"(DN50~1400)

API Eccentric Half Ball Valve

API eccentric half ball valve is mainly used for cutting in the pipeline. It is a relatively new type of ball valve, it has its own unique advantages of the structure, including the switch without friction, sealing is not easy to wear, opening and closing torque is small. It is constructed to reduce the size of the actuator. With the multi-turn electric actuator, the medium can be adjusted and cut off tightly. It is widely used in petroleum, chemical industry, urban water supply and drainage, etc

API eccentric half ball valve have the following advantages:

1. The side-mounted type is compact in structure and light in weight, and is suitable for limited installation spaces.
2. The fluid resistance is small, and its resistance coefficient is equal to that of the same length pipe.
3. Eccentric half ball valve is of Simple structure, small size and light weight.
4. With cutting function, it can cut off the debris (twigs, textile bags, etc.) in the medium when closed.
5. Eccentric half ball valve in the opening should ensure that the passage is completely smooth, The ball adopts semicircular channel, which has good flow performance and linear adjustment performance, and impurities will not deposit in the body cavity.
5. Eccentric half ball valve shall have sufficient strength. Eccentric crankshaft shall be of fixed ball structure without any vibration at high velocity.
6. Eccentric half ball valve is not allowed to leak. The upper and lower shaft ends shall be sealed with at least two o-ring seals.
7. As for the materials, we can offer WCB, SS304, SS316 and other stainless steels as per the clients' need.



Main external and connection dimension

Nominal Pressure	Nominal Diameter	Connection dimensions(mm)					Sealing		Flange thickness (C)	Flange neck	
		L	D	K	Bolt		d	f		N	R
					Qty(n)	Standard					
Class 150	2"	178	165	125	4	M16	99	2	20	84	5
	3"	190	185	145	4	M16	118	2	20	104	6
	4"	203	200	160	8	M16	132	2	20	120	6
	5"	229	220	180	8	M16	156	2	22	140	6
	6"	254	250	210	8	M16	184	2	22	170	6
	8"	267	285	240	8	M20	211	2	24	190	8
	10"	292	340	295	12	M20	266	2	24	246	8
	12"	330	405	355	12	M24	319	2	26	296	10
	14"	355	460	410	12	M24	370	2	28	350	10
	16"	450	520	470	16	M24	429	2	30	410	10
	18"	530	580	525	16	M27	480	2	32	458	10
	20"	580	640	585	20	M27	548	2	40	516	12
	24"	660	715	650	20	M30	609	2	44	576	12
	28"	680	840	770	20	M33	720	2	54	690	12
	32"	900	910	840	24	M33	794	5	40	760	12
	36"	1000	1025	950	24	M36	901	5	42	862	12
	40"	1100	1125	1050	28	M36	1001	5	44	962	12
	44"	1200	1255	1170	28	M39	1112	5	46	1076	12
48"	1300	1485	1390	32	M45	1328	5	52	1282	12	
56"	1500	1685	1590	36	M45	1530	5	58	1482	12	

Nominal Pressure	Nominal Diameter	Connection dimensions(mm)					Sealing		Flange thickness (C)	Flange neck	
		L	D	K	Bolt		d	f		N	R
					Qty(n)	Standard					
Class 300	2"	178	165	125	4	M16	99	2	20	84	5
	3"	190	185	145	8	M16	118	2	22	104	6
	4"	203	200	160	8	M16	132	2	24	120	6
	5"	229	220	190	8	M20	156	2	24	142	6
	6"	254	250	220	8	M24	184	2	26	162	6
	8"	267	285	250	8	M24	211	2	28	192	8
	10"	292	340	310	12	M24	274	2	30	252	8
	12"	330	405	370	12	M27	330	2	32	304	10
	14"	355	460	430	16	M27	389	2	34	364	10
	16"	450	520	490	16	M30	448	2	38	418	10
	18"	530	580	550	16	M33	503	2	40	472	10
	20"	580	640	600	20	M33	548	2	46	520	12
	24"	660	715	660	20	M33	609	2	48	580	12
	28"	680	840	770	20	M36	720	2	58	684	12
	32"	900	910	875	24	M39	820	5	50	780	12
	36"	1000	1025	990	24	M45	928	5	54	882	12
	40"	1100	1125	1090	28	M45	1028	5	58	982	12
	44"	1200	1255	1210	28	M52	1140	5	62	1086	12
48"	1300	1485	1420	32	M52	1350	5	70	1296	12	
56"	1500	1685	1640	36	M56	1560	5	76	1508	12	

AEN.TECH CONTACT

No. 309, Anqian Road, High-tech Zone, Anshan, Liaoning, China

E-mail: liuchangsong9688@gmail.com, ceo@asaicn.com

TEL No: +86 04122616600

www.aen-valve.com

All statements, technical information, and recommendations in this brochure are only for general use. For your specific requirements and material selection, please consult with representatives or sales of AEN.TECH. The right to change or modify the product design or product itself without prior notice is reserved.

Welcome global partners!

2020 AEN.TECH International. All rights reserved.